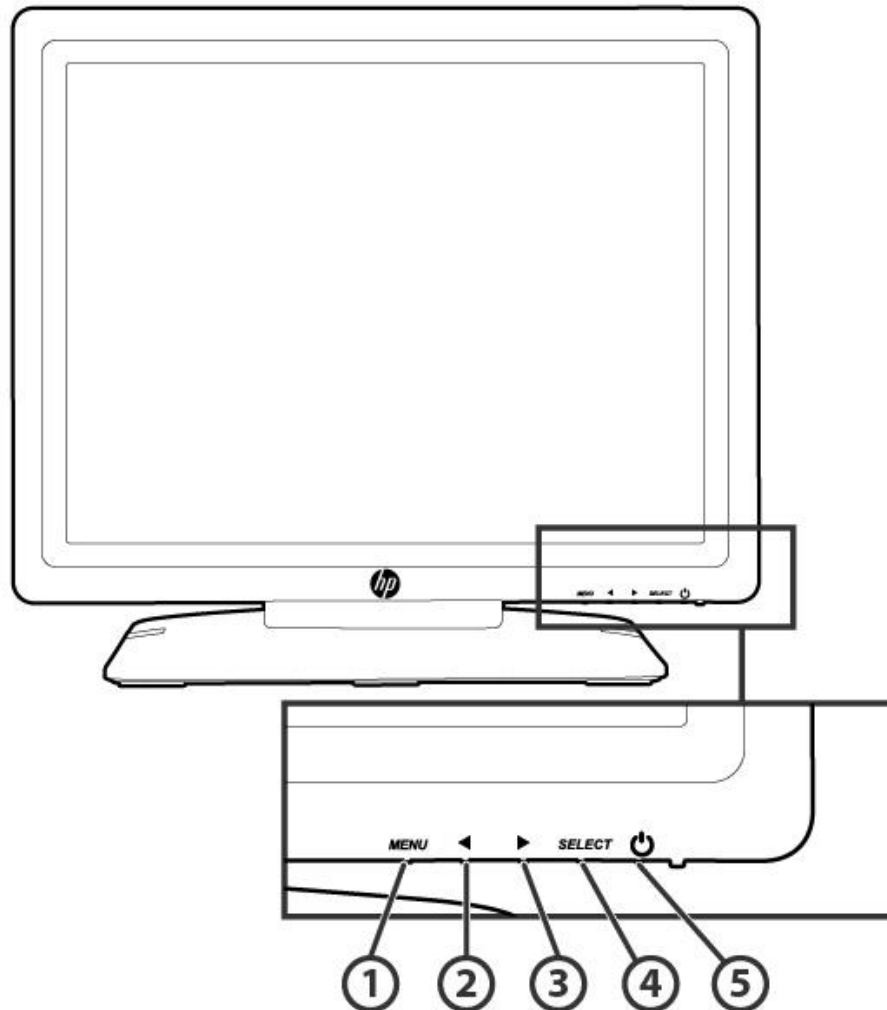


Overview

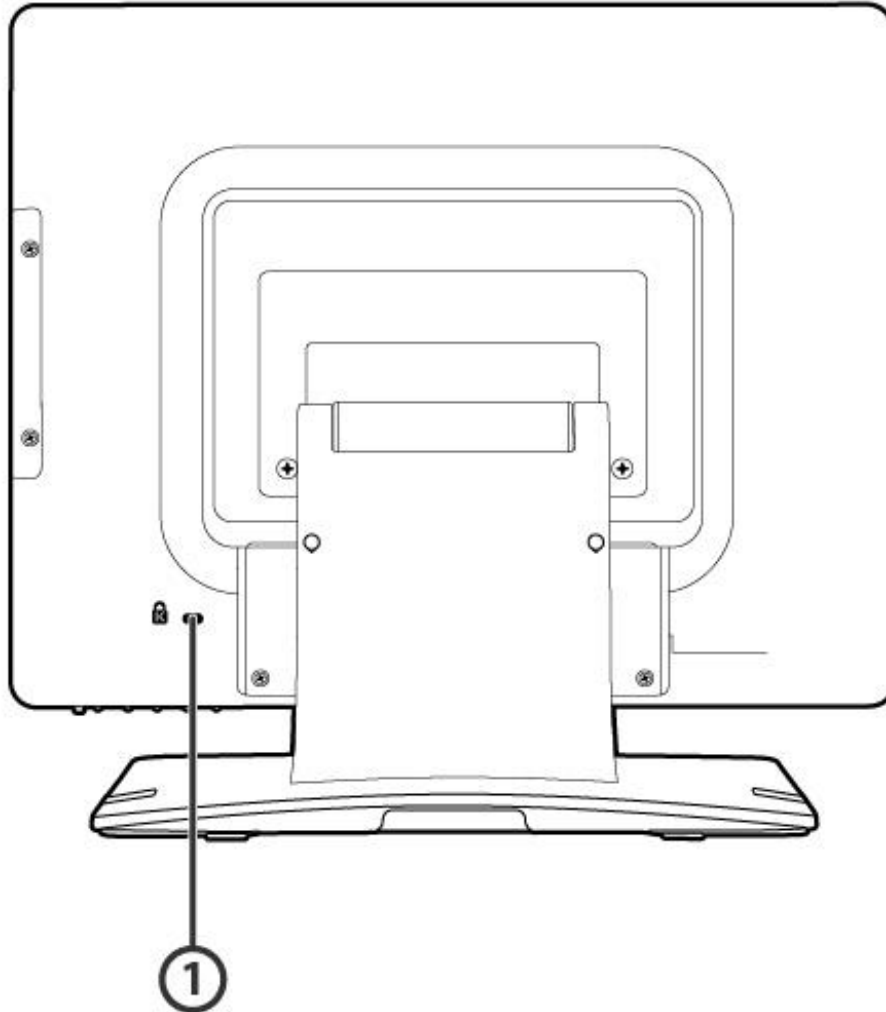
HP L5015tm Touch Monitor



Front View

1. Main menu
2. Brightness menu
3. Contrast submenu
4. Auto Adjust
5. Power button

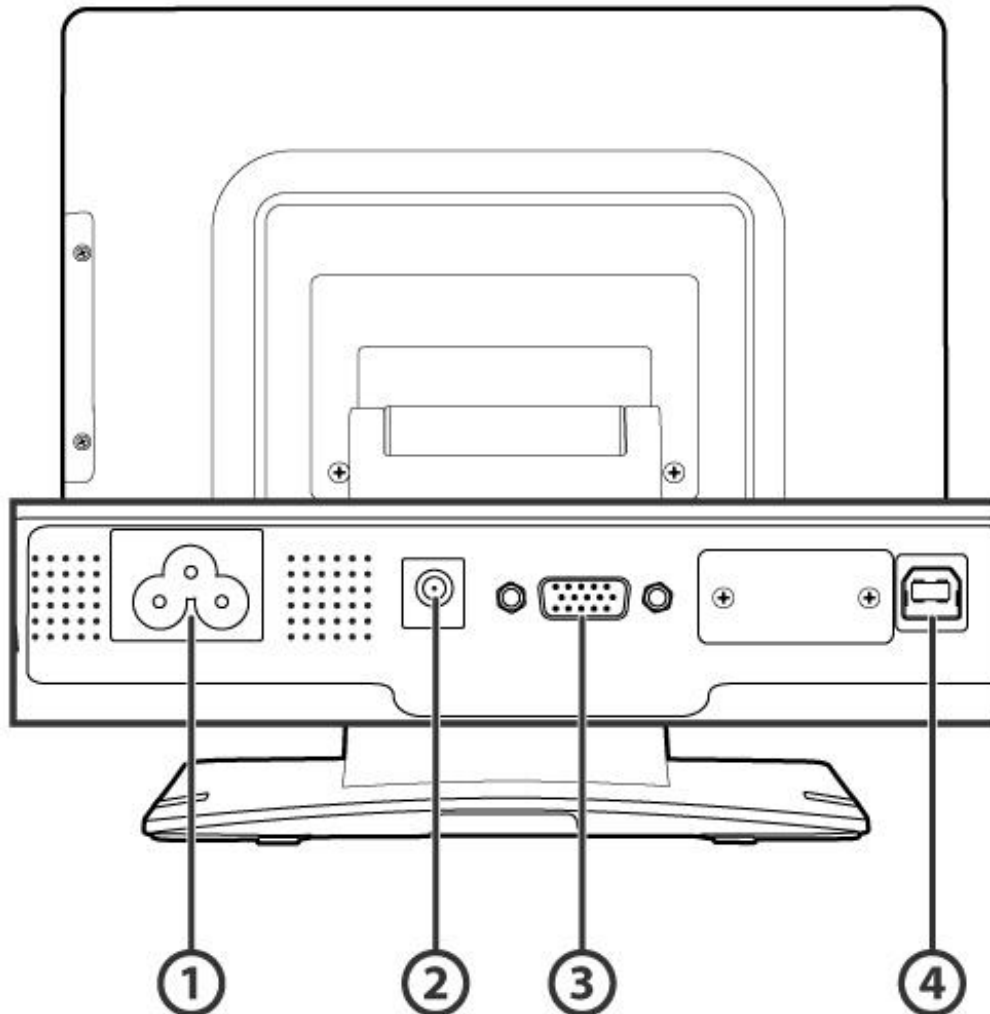
Overview



Back View

1. Locking mechanism

Overview



Bottom, Plate View

1. AC power connector
2. Audio connector
3. VGA
4. USB 2.0 Type B

Overview

Introduction

Built for the rigors of continuous public use and coupled with a retail-focused feature set, this thin commercial touch monitor is well suited for point of sale, point of information, and point of service venues as well as counter top interactive digital signage and loyalty systems.

Key Benefits

- Thin design with “built for touch” reliability
 - Flexible and space-saving
 - 15” diagonal active matrix TFT LED-backlit LCD
 - 4:3 aspect ratio
 - 1024 x 768 native resolution
 - Acoustic Pulse Recognition (APR) Touch Technology
 - Internal power supply
 - Supports USB & VGA Inputs
 - High tilt degree
 - Supports card reader device (sold separately)
 - HP 3-year limited warranty
-

Compatibility

The HP L5015tm Touch Monitor is compatible with HP Retail Systems.

NOTE: Not all Retail system models are available in all regions.

Service and Support

Your HP Peripheral Limited Warranty is a three (3) year replacement warranty. Optional HP Care Packs are available to extend your protection beyond the standard limited warranty.

Technical Specifications

General	Diagonal size	15.0"
	LCD Technology	Active matrix TFT LCD with LED backlighting
	Aspect ratio	4:3
	Active Display Area	228.1 x 304.1 mm (8.98 x 11.97 inches)
	Native Resolution	1024 x 768
	Other supported resolutions	640x480 @ 60Hz, 75Hz 720x400 @ 70Hz 800x600 @ 56Hz, 60Hz, 75Hz 1024x768 @ 60Hz, 75Hz
	Colors	16.2 million with FRC technology
	Brightness (Typical)*	with APR Touch: 225 nits
	Response Time (Tr+tf) (Typical)*	16 msec
	Viewing Angle (Typical)	Horizontal: +/-80° or 160° total Vertical: +/-70° or 140° total
	Contrast Ratio (Typical)*	700:1
	On-Screen Display (OSD)	Controls: Menu, Up, Down, Select Settings: Contrast, Brightness, H-Position, V-Position, Auto-Adjust, Aspect Ratio, Sharpness, Color, Temperature, Clock, Phase, OSD timeout, OSD Language, Recall, Defaults Languages: English, French, Italian, German, Spanish, Japanese, Traditional Chinese, Simplified Chinese Lockouts: OSD, Power
	Input Video Format	Analog VGA on Female DE-15 connector
	Video Input Frequency	Input Video Horizontal Sync frequency range: 31.5- 60KHz Input Video Vertical Sync (frame rate) frequency range: 56-75Hz
	*All specifications represent the typical specifications provided by HP's component manufacturers; actual performance may vary either higher or lower.	
Mechanical	Dimensions (HxWxD) Packed	416 x 228 x 455 mm (16.4 x 9.0 x 17.9 inches)
	Dimensions (HxWxD) Unpacked with stand	319 x 197 x 358 mm (12.5 x 7.8 x 14.1 inches)
	Weight	Unpackaged: 4.3 kg/9.5 lb Packaged: 7.3 kg/16.0 lb
	Tilt	-5° to +70° from vertical
	Interface/Connection	Touch Interface
Power	Power supply	Internal AC; optional external DC brick
	Monitor input power connector – AC	IEC 60320 C6
	Monitor input power signal specifications	100-240VAC, 50/60Hz
	Monitor input power connector - DC	Coaxial power jack (2.1 mm pin outer diameter, 6.4mm barrel inner diameter)
	Monitor input power signal specifications	12VDC ±5%
	Adapter input connector	IEC 60320 C14
	Adapter input voltage	100-240VAC, 50/60Hz

Technical Specifications

	range	
	Power Consumption (Typical)	ON (monitor only): 12W SLEEP (monitor only) : 1.7W OFF (monitor only) : 1.3W
Environmental	Temperature	Operating 32°F to 104°F (0°C to 40°C) Storage -4°F to -140°F (20°C to 60°C)
	Humidity	Operating 20%-80% Storage 10%-90%
Drivers	Windows native	
Operating System Compatibility	Windows Microsoft Windows Embedded 8.1 Industry Pro Retail (32-bit) Microsoft Windows Embedded 8.1 Industry Pro Retail (64-bit) Microsoft Windows 8.1 Professional (32-bit) Microsoft Windows 8.1 Professional (64-bit) Microsoft Windows 7 Professional (32-bit) Microsoft Windows 7 Professional (64-bit) Microsoft Windows Embedded POSReady 7 (32-bit) Microsoft Windows Embedded POSReady 7 (64-bit)	
Reliability	MTBF 50,000 hours demonstrated	
Mounting Option	100mm x 100mm VESA mount	
Agency certifications	Argentinian S-Mark, Australia C-Tick, Canada cUL, IC, China CCC, Europe CE, Japan VCCI, Korea KCC, e-Standby, Mexico CoC, Taiwan BSMI Mark, United States UL, FCC, International CB RoHS, China RoHS, WEEE, IMERC	
Option Kit Contents	HP L5015tm Touch Monitor, USB 2.0 cable, Power cable, VGA cable, VESA Mounting Adapter and HP Retail System Software and Documentation CD	
Country of Origin	China	

Summary of Changes

Date of change:	Version History:		Description of change:
	From v1 to		

© Copyright 2015 Hewlett-Packard Development Company, L.P. The information contained herein is subject to change without notice. The only warranties for HP products and services are set forth in the express warranty statements accompanying such products and services. Nothing herein should be construed as constituting an additional warranty. HP shall not be liable for technical or editorial errors or omissions contained herein. Microsoft and Windows are either trademarks or registered trademarks of Microsoft Corporation in the U.S. and/or other countries.